

Electrodeless Flood Light Series



Features : 06-503

Protection Class: IP65

Impact resistant extrusion aluminium body

Static spraying surface treatment technology, and high temperature resistant and good weather resistant performance, durable

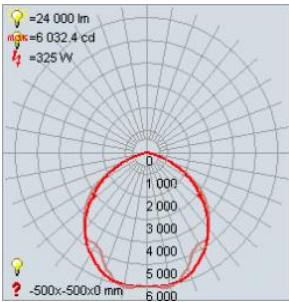
Imported mirror surface aluminium reflector, high reflectivity ensures the high output of luminous flux, high light transmission and impacting resistant

New type silicon rubber sealing ring ensure the aging resistant of silicon rubber



Photometrics

Technical details



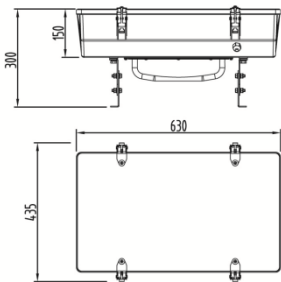
Lamp Specifications

Lamp Wattage	Luminous Flux	Pupil Lumens	CRI	Colour Temp.	Lamp life span
200 W	16000	25920	80-85	5000 k	80,000 hrs

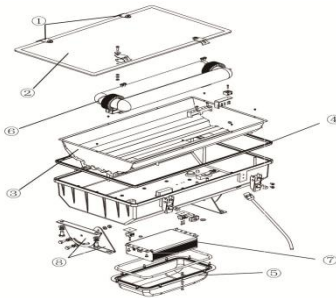
Ballast Specifications

System Wattage	Input Voltage	Input Current (amps)	THD	Ambient temp.	Power factor
200 W	110 – 277 Vac	0.95	<10%	-25 to 40 deg C	>0.98

Dimensions



Wattage	Dimensions
200W	630 x 435 x 300
Estimated Weight : 10.5 kG	



Applications



Industrial factory, Warehouses
Hypermarkets, Supermarkets
Stadium, other indoor environments

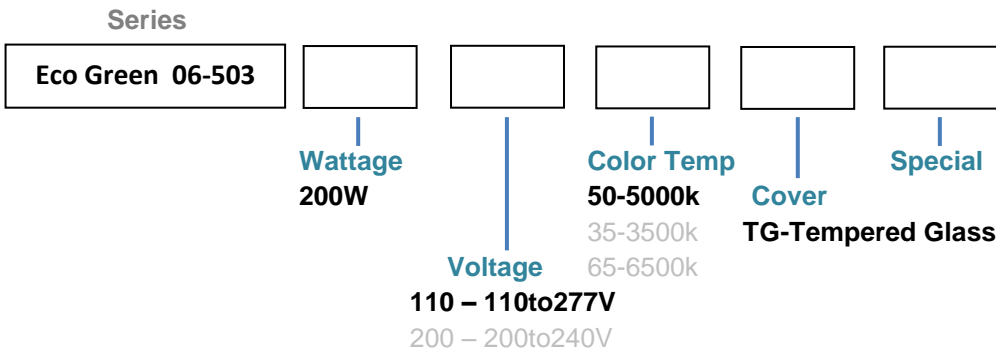
วิษระ วิชรปาน

Mobile: 089 119 1116

Email: watchara@thaipolymer.co.th



Ordering Information



Bold = Standard

Grey* = Upgrade options available upon request

Example : Eco Green 06-503-200-110-50-TG

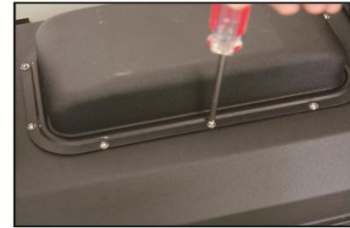
Mounting Method / Installation Procedures



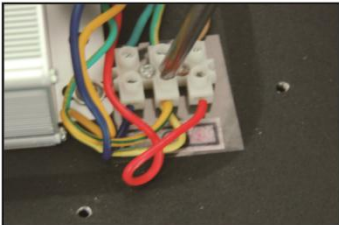
First press the leaf spring of the pressure, then turn up the pressure, and open the bottle of lighting.



Turn up the lampshade, take out the antivibration pad which defend the tube against to broken.



Unscrew the nut on the back of electrical gearbox and remove the cover.



Connect the power cord into the 3-row 6-hole connecting terminal according to the connecting label.



Pin the power cord with the pin board.



Tightening the waterproof of the connections which back to the fixture.



Fixed rotor to the screw on the back of the tunnel lighting.



Installed stator plate lighting on the wall of the tunnel or bridge and tightened stator by screw.



linked the rotor and stator by screw of M8, tightened the screw after adjust the angle.

วิษระ วิชรปาน

Mobile: 089 119 1116

Email: watchara@thaiopolymer.co.th

